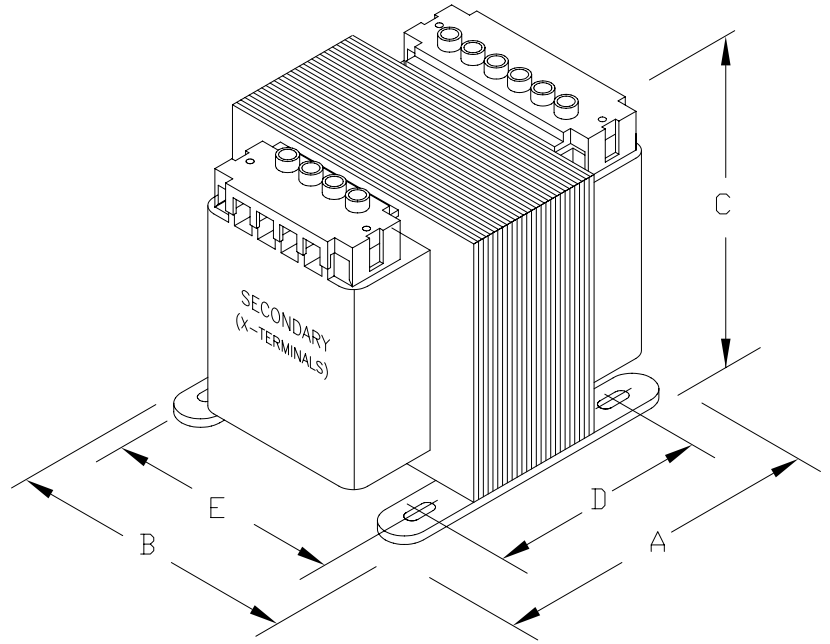


CONNECTION DIAGRAM



PROVIDED WITH SAFE TOUCH TERMINAL COVERS  
 NO INTEGRAL FUSING CAPABILITY.

DIMENSIONS							APPROX. WT. LBS (KG)
	A	B	C	D	E	MTG. SLOTS	
INCHES (MM)	5.25 (133)	4.50 (114)	4.00 (102)	4.75 (121)	3.75 (95)	0.203X0.844 (5.1X21.4)	



CAT.NO.	B300-2264-GAF		CONST.	ENCAPSULATED			UL LISTED
			MODEL	GLOBALTRAN			
RATING							SP CERTIFIED
OUTPUT AMPS	12.5/2.6/1.3	PRIMARY V	208/230/400/460/575		TEMP. CLASS	HZ 50/60	
VA	300	SECONDARY V	24/115/230		130°C	REVISION G	CE IEC 61558